



**ENGINEERED  
PRODUCTS**

**QUIKBOX™  
QUIKANKOR™  
QUIKCOUPLER™  
REINFORCEMENT CONTINUITY SOLUTIONS**



**MAKING  
THE  
COMPLEX  
SIMPLE**



# QUIKBOX™



SRG Global has developed QuikBox™, our own reinforcement continuity strip product, more commonly known in the construction sector as ‘pull out boxes’.

These are a quick and safe way to achieve a high-quality reinforcement connection across a reinforced concrete joint.

## QuikBox™ system

SRG Global's QuikBox™ System is an Australian made, prefabricated, fully sealed system designed for a quick and simple method of allowing continuity of reinforcement at construction joints in concrete.

The QuikBox™ system consists of a dimpled galvanised steel case for effective concrete bond, a galvanised steel lid, 500 Grade ACRS approved pre-bent reinforcing in the required configuration and polystyrene end caps. QuikBox™ is a fully taped and sealed system to prevent concrete ingress.

The QuikBox™ system can be fixed to the formwork or tied into the reinforcing at the required location. Once ready, the concrete is placed. When the formwork is struck the lid can be easily removed exposing the reinforcing bars inside the system. These bars are then bent out and ready for lapping with the main reinforcing. The dimpled galvanised steel case is left embedded in the concrete and

provides a shear key between the first and second concrete sections.

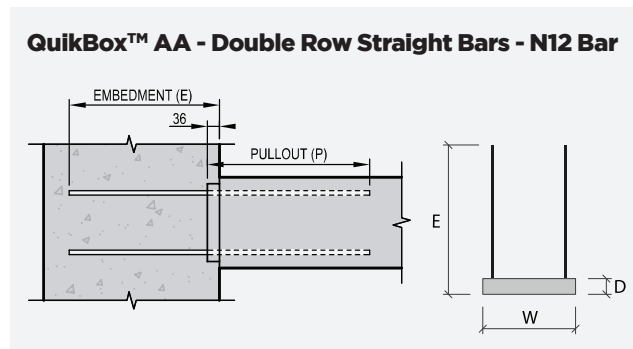
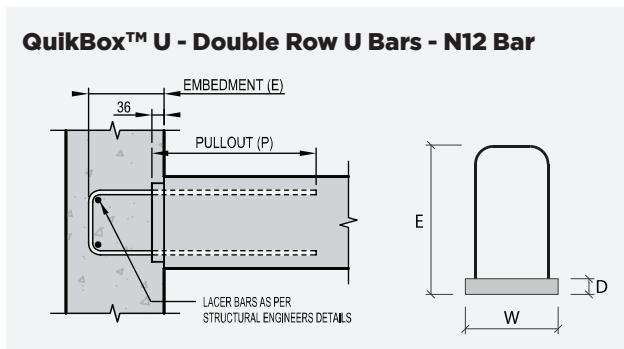
QuikBox™ is manufactured with Grade 500N ACRS approved reinforcing bars with a minimum yield of 500MPa which meets the AS/NZS 4671:2001 requirements. All bars have a minimum uniform elongation A.gt 5% and are bent to comply with AS/NZS 4671:2001.

QuikBox™ can be used in a wide range of applications of construction joints commonly including:

- Jumpforms - wall to floor connection.
- Floor slab to floor slab - crane or other penetrations.
- Wall to wall - external to internal walls.
- Wall to slab - core or lift core connection.
- Wall to corbel - conventionally formed.
- Precast concrete elements to wall / slab - insitu concreting.
- Wall to stairwell / landings.

## Description of QuikBox™ Product Code

QuikBox™	Box type	Bar spacing (cm)	Embedment (E) Depth of bar if not 130mm
<b>GB</b>	<b>U</b>	<b>10</b>	<b>(E230)</b>
<b>120</b>	<b>12</b>	<b>-1000</b>	
Box height (mm)	Bar diameter (mm)	Box length (mm)	

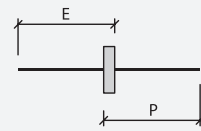




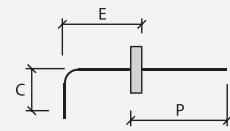
Product Code	Box Length	Box Height W	Bar Embedment E	Bar Spacing	Pull Out P	Box Depth D	Min Wall Thickness	Cog Length C
	mm	mm	mm	mm	mm	mm	mm	mm
QB120U1215-1000	1000	120	130	150	450	36	180	75
QB120U1220-1000	1000	120	130	200	450	36	180	75
QB120U1225-1000	1000	120	130	250	450	36	180	75
QB120U1230-1000	1000	120	130	300	450	36	180	75
QB150U1210-1000	1000	150	130	100	450	36	180	120
QB150U1215-1000	1000	150	130	150	450	36	180	120
QB150U1220-1000	1000	150	130	200	450	36	180	120
QB150U1225-1000	1000	150	130	250	450	36	180	120
QB150U1230-1000	1000	150	130	300	450	36	180	120
QB190U1210-1000	1000	190	130	100	450	36	180	170
QB190U1215-1000	1000	190	130	150	450	36	180	170
QB190U1220-1000	1000	190	130	200	450	36	180	170
QB190U1225-1000	1000	190	130	250	450	36	180	170
QB190U1230-1000	1000	190	130	300	450	36	180	170
QB220U1210-1000	1000	220	130	100	450	36	180	200
QB220U1215-1000	1000	220	130	150	450	36	180	200
QB220U1220-1000	1000	220	130	200	450	36	180	200
QB220U1225-1000	1000	220	130	250	450	36	180	200
QB220U1230-1000	1000	220	130	300	450	36	180	200

### Alternate boxes available

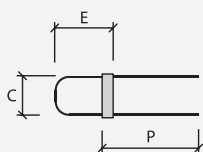
Many applications require special sizes or spacing of reinforcing to suit specific requirements. QuikBox™ can be manufactured according to these requirements and delivered to site with no additional work required. Alternate common boxes shown opposite, other configurations available on request.



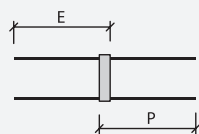
**TYPE A  
(STRAIGHT BAR)**



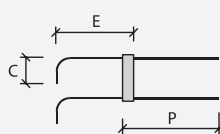
**TYPE L  
(ANGLE)**



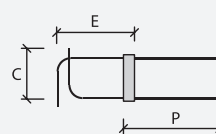
**TYPE U  
(U-BAR)**



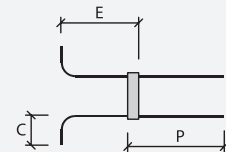
**TYPE AA (DOUBLE  
STRAIGHT BAR)**



**TYPE LL  
(DOUBLE ANGLE)**



**TYPE LJ  
(DOUBLE ANGLE)**

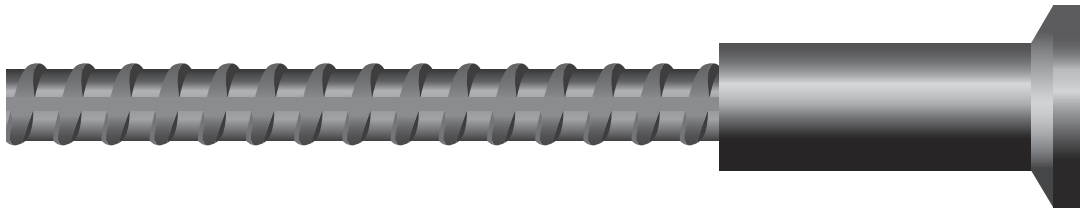


**TYPE JL  
(DOUBLE ANGLE)**



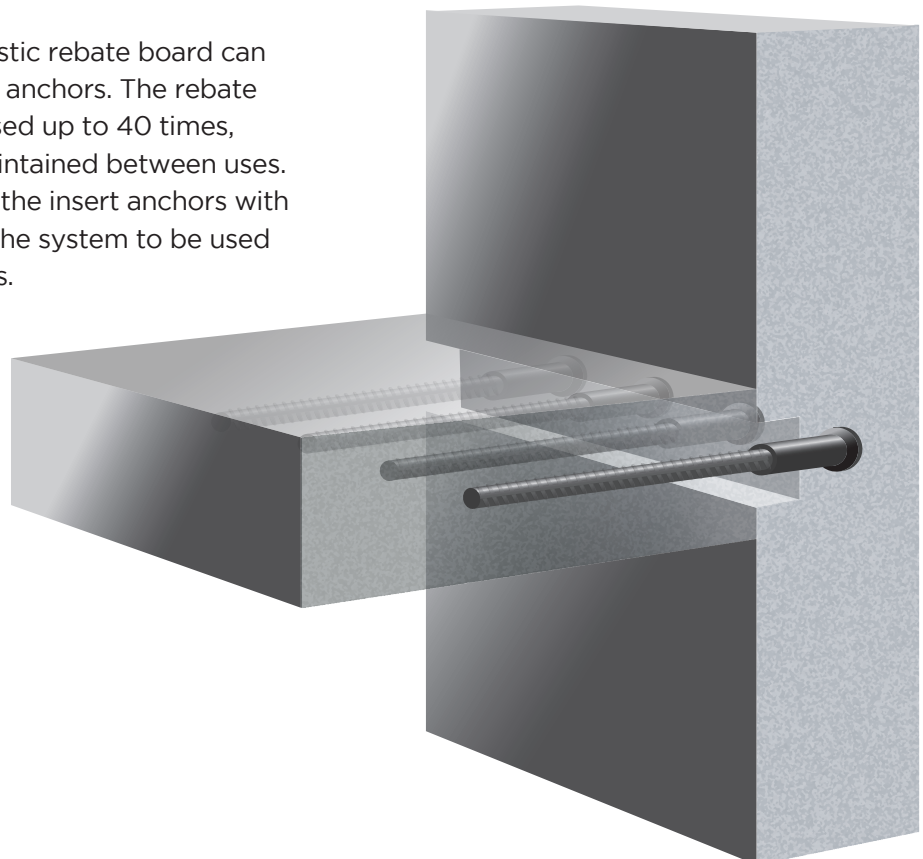
# QUIKANKOR™

**SRG Global's QuikAnchor™ system is a cast in-situ threaded insert anchor solution that is commonly used to connect slabs and beams to walls and cores. The system uses Grade 500N ReidBar in a range of diameters.**



The insert anchors can be supplied fully assembled in dimpled galvanised steel boxes with corflute or steel lids also found in QuikBoxes. Once cast, the lid is removed, and the reinforcement bars are screwed into place.

Alternatively, a reusable plastic rebate board can be used to secure the insert anchors. The rebate boards can typically be reused up to 40 times, providing these are well maintained between uses. SRG Global can also supply the insert anchors with nailing plates which allows the system to be used in non-standard applications.



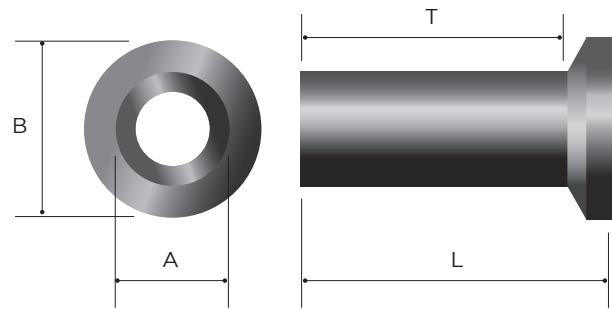


Characteristic tensile strength of an anchor can be determined from the following formula taken from AS 3850.1:2015:

$$N_{u,c}^0 = k_{cr} \times f'_{c,age}{}^{0.5} \times h_{ef}{}^{1.5}$$

**WHERE:**

- $N_{u,c}^0$  = Characteristic Tensile Strength of a single anchor (kN)
- $k_{cr}$  = 10
- $f'_{c,age}$  = Characteristic concrete compressive strength at the age of loading (MPa)
- $h_{ef}$  = Effective embedment depth of insert/anchor (mm)



Item Code	Description	Diameter	Diameter	Insert Length	Thread Length
		B	A	L	T
		mm	mm	mm	mm
TB12IR	TBR insert 12mm to suit ReidBar Grade 500N	38	22	105	50
TB12IR-L	TBR insert 12mm-L to suit ReidBar Grade 500N	38	22	150	50
TB16IR	TBR insert 16mm to suit ReidBar Grade 500N	50	30	115	55
TB16IR-L	TBR insert 16mm-L to suit ReidBar Grade 500N	50	30	165	55
TB20IR	TBR insert 20mm to suit ReidBar Grade 500N	64	35	145	65
TB20IR-L	TBR insert 20mm-L to ReidBar Grade 500N	64	35	185	65
TB25IR	TBR insert 25mm to suit ReidBar Grade 500N	80	45	190	90
TB32IR	TBR insert 32mm to suit ReidBar Grade 500N	100	55	210	110



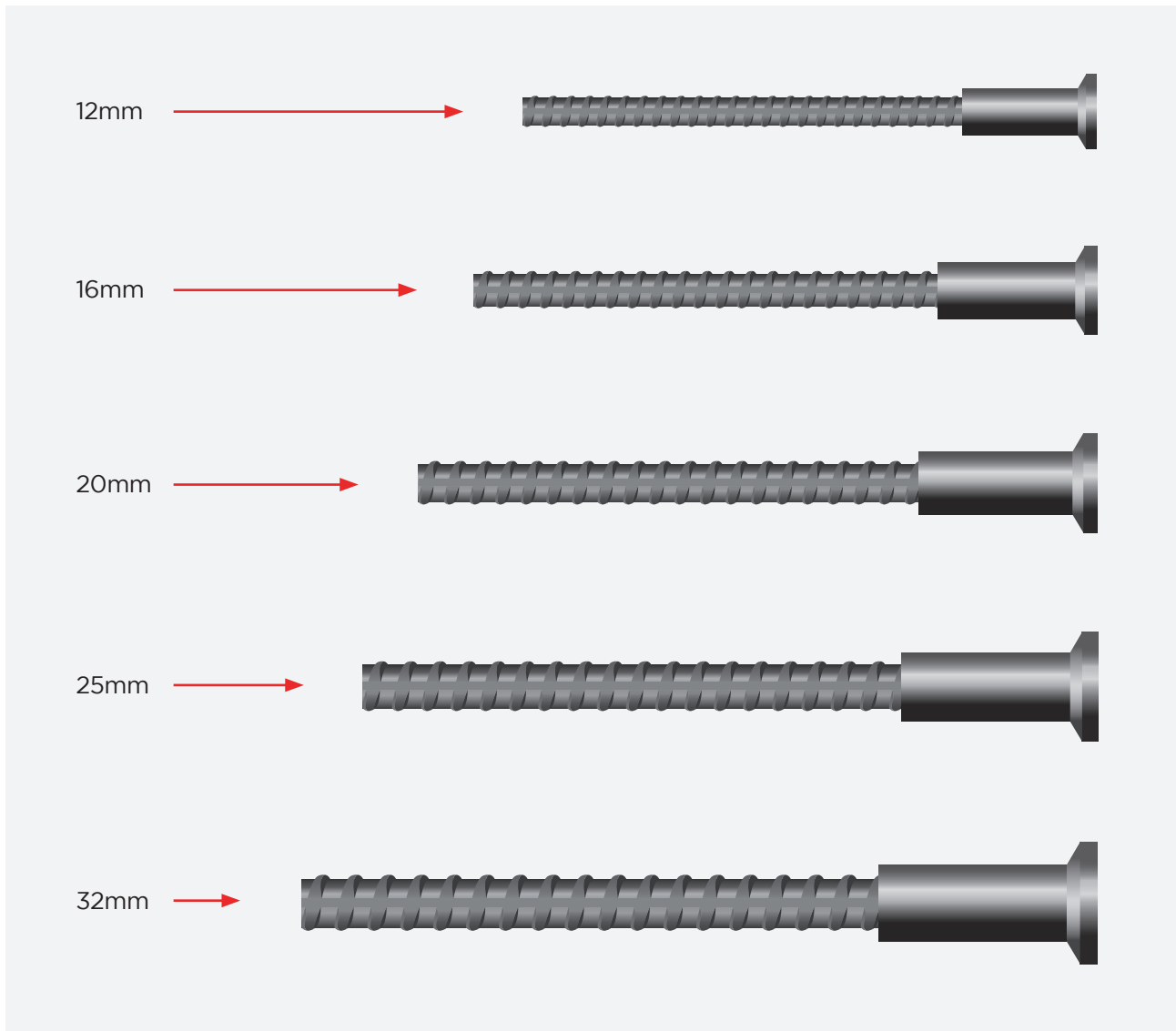
## SRG GLOBAL QUIKANKOR™ DESIGN DATA

Insert + Usage	Insert Length	$h_{ef}$	$f_{ck}$	$N_{c,k}$	$N_{c,k}$ (kN) at Anchor Spacings						
					150	200	250	300	350	400	450
	mm	mm	MPa	kN	mm	mm	mm	mm	mm	mm	mm
TB12IR + NAIL PLATE OR BOARD	105	109	32	64.4	29.5	39.4	49.2	59.1	64.4	64.4	64.4
			40	72.0	33.0	44.0	55.0	66.0	72.0	72.0	72.0
			50	80.5	36.9	49.2	61.5	73.8	80.5	80.5	80.5
TB12IR-L + NAIL PLATE OR BOARD	150	154	32	108.1	35.1	46.8	58.5	70.2	81.9	93.6	105.3
			40	120.9	39.2	52.3	65.4	78.5	91.6	104.7	117.7
			50	135.1	43.9	58.5	73.1	87.8	102.4	117.0	131.6
TB16IR + NAIL PLATE OR BOARD	115	119	32	73.4	30.9	41.1	51.4	61.7	72.0	73.4	73.4
			40	82.1	34.5	46.0	57.5	69.0	80.5	82.1	82.1
			50	91.8	38.6	51.4	64.3	77.1	90.0	91.8	91.8
TB16IR-L + NAIL PLATE OR BOARD	165	169	32	124.3	36.8	49.0	61.3	73.5	85.8	98.1	110.3
			40	139.0	41.1	54.8	68.5	82.2	95.9	109.6	123.3
			50	155.4	46.0	61.3	76.6	91.9	107.2	122.6	137.9
TB20IR + NAIL PLATE OR BOARD	145	149	32	102.9	34.5	46.0	57.5	69.1	80.6	92.1	102.9
			40	115.0	38.6	51.5	64.3	77.2	90.1	102.9	115.0
			50	128.6	43.2	57.5	71.9	86.3	100.7	115.1	128.6
TB20IR-L + NAIL PLATE OR BOARD	185	189	32	147.0	38.9	51.8	64.8	77.8	90.7	103.7	116.7
			40	164.3	43.5	58.0	72.5	86.9	101.4	115.9	130.4
			50	183.7	48.6	64.8	81.0	97.2	113.4	129.6	145.8
TB25IR + NAIL PLATE OR BOARD	190	194	32	152.9	39.4	52.5	65.7	78.8	91.9	105.1	118.2
			40	170.9	44.0	58.7	73.4	88.1	102.8	117.5	132.1
			50	191.1	49.2	65.7	82.1	98.5	114.9	131.3	147.7
TB32IR + NAIL PLATE OR BOARD	210	214	32	177.1	41.4	55.2	69.0	82.8	96.5	110.3	124.1
			40	198.0	46.3	61.7	77.1	92.5	107.9	123.4	138.8
			50	221.4	51.7	69.0	86.2	103.4	120.7	137.9	155.2



## SRG GLOBAL QUIKANKOR™ BAR SIZES

SRG Global offer Grade 500N ReidBar to suit the QuikAnchor™ system in 12mm, 16mm, 20mm, 25mm and 32mm sizes.



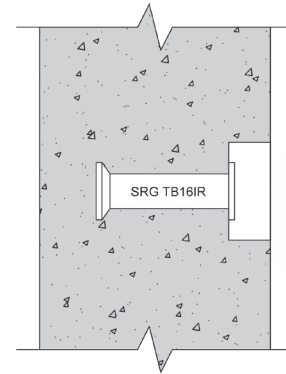
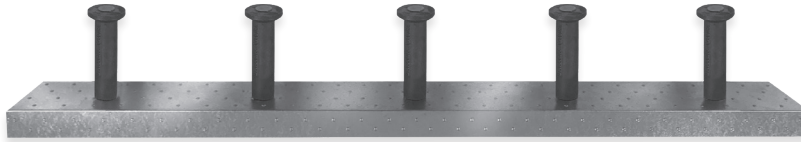
SRG Global recommends the thread engagement be the maximum thread depth available in the fitting (Dimension T). Correct bar insertion is critical to the performance of the product and it is recommended that good practice requires the user to nondestructively mark the bar (eg chalk) at the required depth to indicate that full engagement has been achieved. In the event of difficulties with threading, small and unpowered mechanical aids normally used with reinforcement bars (eg wrench) may assist the threading task provided that the bar is not damaged/impacted.

Should you have any queries, or need any assistance, as always please contact us immediately.



## SRG GLOBAL QUIKANKOR™ BOX

Description QuikAnchor™ Box Product Code



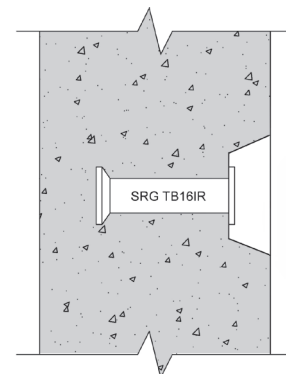
Bar Diameter (mm)	Quickbox	Box Height (mm)	Number of Insert Anchors	Box Length (mm)
<b>16</b>	<b>QB</b>	<b>85</b>	<b>A5</b>	<b>-1000</b>

Product Code	Insert Anchor Bar Size	Embedment E	Box Length	Box Height	Insert Anchor Spacing	Box Depth	Min Wall Thickness	Number of Insert Anchors
	mm	mm	mm	mm	mm	mm	mm	
16QB85A3-600	16	151	600	85	200	36	180	3
16QB85A4-800	16	151	800	85	200	36	180	4
16QB85A5-1000	16	151	1000	85	200	36	180	5
16QB85A4-1000	16	151	1000	85	250	36	180	4
16QB85A7-1000	16	151	1000	85	150	36	180	7

ALSO AVAILABLE WITH 12, 20, 25 AND 32MM INSERT ANCHORS.  
NON-STANDARD CONFIGURATIONS OF BOX LENGTH, HEIGHT AND SPACINGS AVAILABLE.

## SRG GLOBAL QUIKANKOR™ REBATE BOARD

Description QuikAnchor™ Rebate Board Product Code



Bar Diameter (mm)	Rebate Board	Anchor Spacing (mm)	Board Length (mm)
<b>TB16</b>	<b>IR</b>	<b>@ 200</b>	<b>-1200</b>

Product Code	Insert Anchor Bar Size	Embedment E	Box Length	Box Height	Insert Anchor Spacing	Min Wall Thickness	Number of Insert Anchors
	mm	mm	mm	mm	mm	mm	
TB16IR @ 100-1200	16	151	1200	85	100	180	12
TB16IR @ 200-1200	16	151	1200	85	200	180	6
TB16IR @ 250-1200	16	151	1200	85	250	180	5

ALSO AVAILABLE WITH 12, 20, 25 AND 32MM INSERT ANCHORS.  
NON-STANDARD CONFIGURATIONS OF BOARD LENGTH, HEIGHT AND SPACINGS AVAILABLE.





# BARTEK BPS STUD INSERT

**The Bartek BPS Insert is a footed stud with a BPS female coupler swaged to the end that accepts a BPS male starter bar to form a connection between pours in concrete structures. Predominately used between core walls and floor slabs. They can also be used in the connection of precast wall panels to concrete floors.**

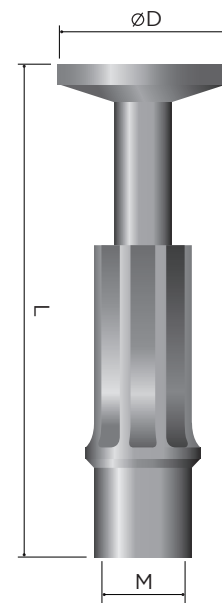
The Inserts can be supplied with a Polyurethane Rebate Board or with Nail Plates for installation to gain an additional 10mm in embedment depth; or an insert box for an additional 36mm.

After pouring and stripping formwork, the starter bar is simply screwed in until it is fully engaged in the insert.

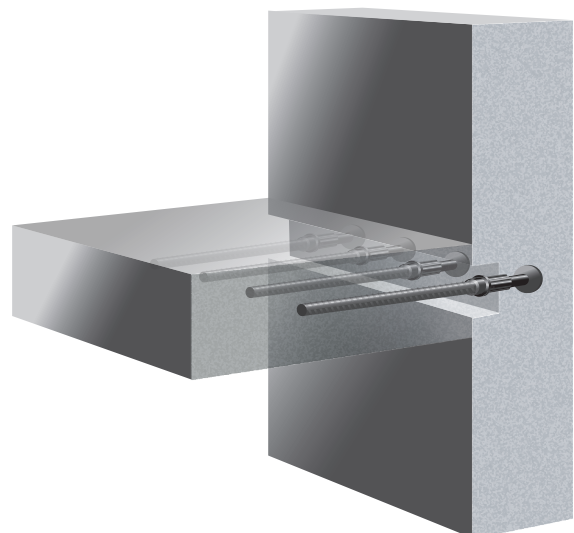
## BPS Insert Design Data

AS3600 requires that the use of cast-in fixings are to be in accordance with the requirements of AS3850.1 Appendix B.

The anchor load capacity design tables shown include the relevant ductility reduction factors required from under AS3600 & AS3850.1; 0.85 for N Grade bar in tension and 0.6 for concrete.



Insert Code	Description	Length	Head Dia.	Thread Size
		L	$\varnothing D$	M
		mm	mm	mm
BPS12I	12mm - 105mm Long	105	38	16
BPS12IL	12mm - 150mm Long	150	38	16
BPS16I	16mm - 130mm Long	130	51	20
BPS16IL	16mm - 160mm Long	160	51	20
BPS20I	20mm - 150mm Long	150	64	24
BPS20IL	20mm - 190mm Long	190	64	24
BPS24I	24mm - 190mm Long	190	76	30





### Single Row Rebate Board or Nail Plate - Design Data

Load capacity of inserts fixed to formwork using either a rebate board or nail plates. For validity of the calculations the inserts must be placed at least 1.5 times the effective embedment depth from the nearest edge. The depth of the concrete member H, must also be at least 2 times the effective embedment depth.

Code	Length	H <sub>ef</sub>	Rebar Failure	F <sub>ck</sub>	N <sub>c,k</sub>	N <sub>c,k</sub> (kN) at Anchor Spacings						
						150mm	200mm	250mm	300mm	350mm	400mm	450mm
	mm	mm	kN	Mpa	kN	kN						
BPS12I	105	113	48.1	32	52.7	23.4	31.2	39.0	46.8	52.7	52.7	52.7
				40	58.9	26.2	34.9	43.6	52.3	58.9	58.9	
				50	65.8	29.3	39.0	48.8	58.5	65.8	65.8	
BPS16I	115	122	85.5	32	59.2	24.3	32.5	40.6	48.7	56.8	59.2	59.2
				40	66.2	27.2	36.3	45.4	54.4	63.5	66.2	
				50	74.0	30.4	40.6	50.7	60.8	71.0	74.0	
BPS20I	145	151	133.5	32	81.7	27.1	36.1	45.2	54.2	63.2	72.2	81.3
				40	91.4	30.3	40.4	50.5	60.6	70.7	80.8	
				50	102.1	33.9	45.2	56.4	67.7	79.0	90.3	
BPS24I	190	195	192.3	32	120.1	30.8	41.1	51.3	61.6	71.9	82.2	92.4
				40	134.3	34.4	45.9	57.4	68.9	80.4	91.9	
				50	150.2	38.5	51.3	64.2	77.0	89.9	102.7	

### Single Row Insert Box - Design Data

Load capacity of inserts fixed to formwork using an insert box. For validity of the calculations inserts must be placed at least 1.5 times the effective embedment depth from the nearest edge. The depth of the concrete member H, must also be at least 2 times the effective embedment depth.

Code	Length	H <sub>ef</sub>	Rebar Failure	F <sub>ck</sub>	N <sub>c,k</sub>	N <sub>c,k</sub> (kN) at Anchor Spacings						
						150mm	200mm	250mm	300mm	350mm	400mm	450mm
	mm	mm	kN	Mpa	kN	kN						
BPS12I	105	139	48.1	32	71.9	26.0	34.6	43.3	51.9	60.6	69.2	71.9
				40	80.4	29.0	38.7	48.4	58.1	67.7	77.4	
				50	89.9	32.5	43.3	54.1	64.9	75.7	86.5	
BPS16I	115	148	85.5	32	79.2	26.8	35.7	44.7	53.6	62.6	71.5	79.2
				40	88.6	30.0	40.0	50.0	60.0	69.9	79.9	
				50	99.0	33.5	44.7	55.9	67.0	78.2	89.4	
BPS20I	145	177	133.5	32	103.7	29.3	39.1	48.9	58.7	68.4	78.2	88.0
				40	116.0	32.8	43.7	54.7	65.6	76.5	87.5	
				50	129.7	36.7	48.9	61.1	73.3	85.6	97.8	
BPS24I	190	221	192.3	32	145.0	32.8	43.7	54.7	65.6	76.5	87.5	98.4
				40	162.1	36.7	48.9	61.1	73.3	85.6	97.8	
				50	181.2	51.0	54.7	68.3	82.0	95.7	109.3	

### Near Edge Reduction - Design Data

Load capacity of inserts fixed to formwork using a rebate board or nail plates. For validity of the calculations the next nearest insert is at least 3 times the effective embedment depth and the second nearest edge is at least 1.5 times the effective embedment depth. The depth of the concrete member H, must also be at least 2 times the effective embedment depth.

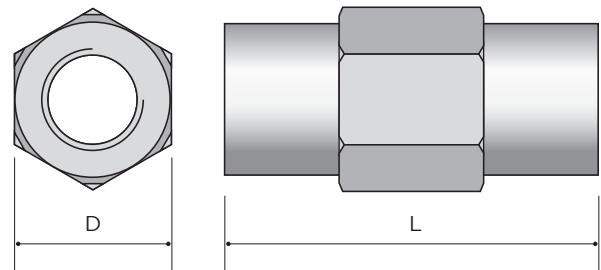
Code	Length	H <sub>ef</sub>	Rebar Failure	F <sub>ck</sub>	N <sub>c,k</sub>	N <sub>c,k</sub> (kN) at Distance to Edge						
						50mm	100mm	150mm	200mm	250mm	300mm	350mm
	mm	mm	kN	Mpa	kN	kN						
BPS12I	105	139	48.1	32	52.7	34.1	41.9	49.7	52.7	52.7	52.7	52.7
				40	58.9	38.2	46.9	55.6	58.9	58.9	58.9	
				50	65.8	42.7	52.4	62.2	65.8	65.8	65.8	
BPS16I	115	122	85.5	32	59.2	37.7	45.8	54.0	59.2	59.2	59.2	59.2
				40	66.2	42.2	51.3	60.3	66.2	66.2	66.2	
				50	74.0	47.2	57.3	67.4	74.0	74.0	74.0	
BPS20I	145	177	133.5	32	81.7	49.9	58.9	67.9	77.0	81.7	81.7	81.7
				40	91.4	55.8	65.9	76.0	86.1	91.4	91.4	
				50	102.1	62.4	73.6	84.9	96.2	102.1	102.1	
BPS24I	190	195	192.3	32	120.1	70.3	80.6	90.9	101.2	111.4	120.1	120.1
				40	134.3	78.6	90.1	101.6	113.1	124.6	134.3	
				50	150.2	87.9	100.8	113.6	126.4	139.3	150.2	



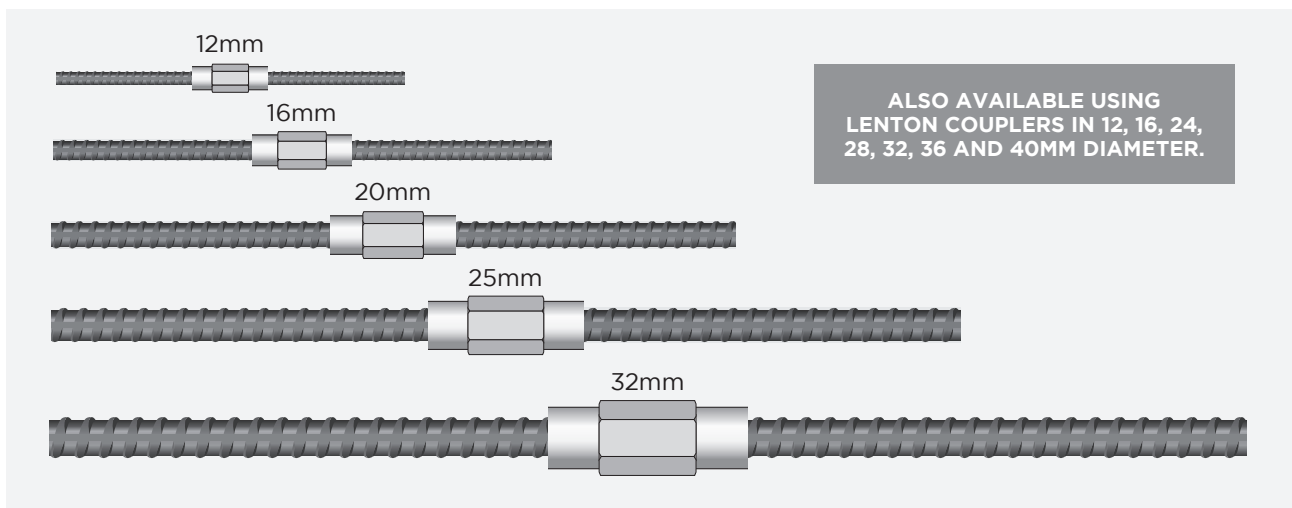
# QUIKCOUPLER™

**SRG Global's QuikCoupler™ system is a cast in-situ forged steel threaded coupler solution that is commonly used to connect slabs and beams to walls and cores. The system uses Grade 500N ReidBar in a range of diameters.**

The couplers can be supplied fully assembled in dimpled galvanised steel boxes with corflute or steel lids also found in QuikAnchor™ boxes. Once cast, the lid is removed, and the reinforcement bars are screwed into place. The pre-assembled tailor made boxes enables a simple, effective and efficient installation. SRG Global can also supply the couplers with nailing plates which allows the system to be used in non-standard applications.



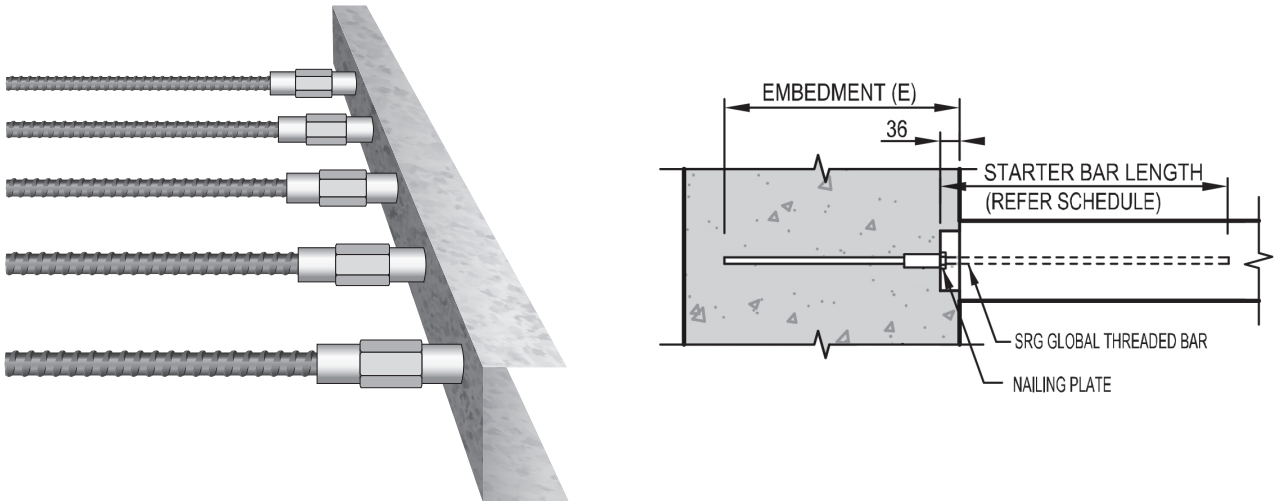
Product Code	Description	length L mm	Diameter D mm
TB12CR	TB Coupler 12mm to suit ReidBar Grade 500N	95	28
TB16CR	TB Coupler 16mm to suit ReidBar Grade 500N	105	36
TB20CR	TB Coupler 20mm to suit ReidBar Grade 500N	132	40
TB25CR	TB Coupler 25mm to suit ReidBar Grade 500N	185	50
TB32CR	TB Coupler 32mm to suit ReidBar Grade 500N	215	60





# QUIKCOUPLER™ BOX

## 1. QUIKCOUPLER™ BOX - TYPE 'A' STRAIGHT BAR



### Description of QuikCoupler™ Box Type 'A' Product Code

Type of Coupler	Box height (mm)	Bar Diameter (mm)	Box Length (mm)	Bar Cog (C) Length (mm)
<b>TB</b>	<b>85</b>	<b>16</b>	<b>-1000</b>	<b>-C0</b>
QuikBox™	Type of Bar	Coupler Spacing (cm)	Bar Embedment (E) Length (mm)	

### TB - SRG COARSE THREAD COUPLERS

Product Code	Coupler Bar Size	Embedment E	Cog Length C	Box Length	Box Height	Coupler Spacing	Box Depth
	mm	mm	mm	mm	mm	mm	mm
TBQB85A1220-1000-E625-C0	12	625	0	1000	85	200	36
TBQB85A1620-1000-E740-C0	16	740	0	1000	85	200	36
TBQB85A2020-1000-E953-C0	20	953	0	1000	85	200	36
TBQB85A2520-1000-E1330-C0	25	1330	0	1000	85	200	36
TBQB85A3220-1000-E1645-C0	32	1645	0	1000	85	200	36

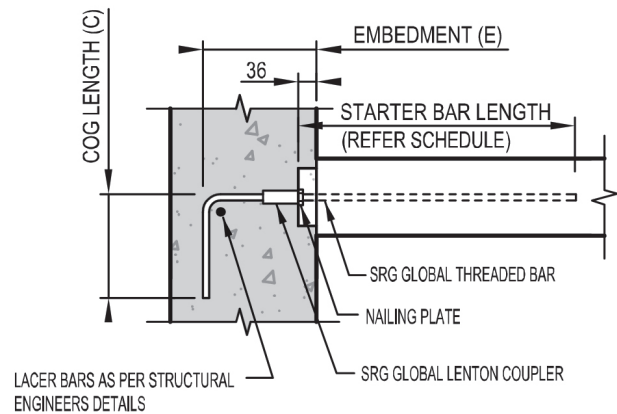
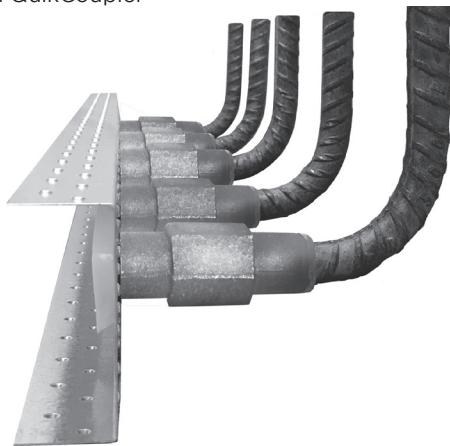
NOTE: QUIKCOUPLER™ BOXES ARE ALSO AVAILABLE IN 100, 150 AND 300MM CENTRES. NON-STANDARD CONFIGURATIONS OF BOX LENGTH, HEIGHT AND SPACINGS AVAILABLE.

ALSO AVAILABLE USING LENTON COUPLERS IN 12, 16, 24, 28, 32, 36 AND 40MM DIAMETER.



## 2. QUIKCOUPLER™ BOX - TYPE 'L' COGGED BAR

SRG Global QuikCoupler™ System



### Description of QuikCoupler™ Box Product Code

Type of Coupler	Box height (mm)	Bar Diameter (mm)	Box Length (mm)	Bar Cog (C) Length (mm)
<b>TB</b>	<b>85</b>	<b>16</b>	<b>-1000</b>	<b>-C205</b>
<b>QB</b>				
QuikBox™		Type of Bar	Coupler Spacing (cm)	Bar Embedment (E) Length (mm)
<b>L</b>	<b>20</b>	<b>20</b>	<b>-E660</b>	
			Bar Embedment (E) Length (mm)	

### TB - SRG COARSE THREAD COUPLERS

Product Code	Coupler Bar Size	Embedment E	Cog Length C	Box Length	Box Height	Coupler Spacing	Box Depth	Min Wall Thickness
	mm	mm	mm	mm	mm	mm	mm	mm
TBQB85L1220-1000-E170-C170	12	170	170	1000	85	200	36	220
TBQB85L1620-1000-E200-C205	16	200	205	1000	85	200	36	250
TBQB85L2020-1000-E240-C245	20	240	245	1000	85	200	36	290
TBQB85L2520-1000-E300-C295	25	300	295	1000	85	200	36	350
TBQB85L3220-1000-E360-C395	32	360	395	600	85	200	36	410

**NOTE: QUIKCOUPLER™ BOXES ARE ALSO AVAILABLE IN 100, 150 AND 300MM CENTRES. NON-STANDARD CONFIGURATIONS OF BOX LENGTH, HEIGHT AND SPACINGS AVAILABLE.**

**ALSO AVAILABLE USING LENTON COUPLERS IN 12, 16, 24, 28, 32, 36 AND 40MM DIAMETER.**



## PTM - BARTEK PTM COUPLER BOX

Product Code	Bar Size	Embedment E	Cog length C	Box Height	Coupler Spacing	Box Depth	Min wall thickness
	mm	mm	mm	mm	mm	mm	mm
PTMQB85L1220-1000-E145-C170	12	145	170	85	200	36	215
PTMQB85L1620-1000-E165-C205	16	165	205	85	200	36	235
PTMQB85L2020-1000-E195-C245	20	195	245	85	200	36	265
PTMQB85L2420-1000-E235-C295	24	235	295	85	200	36	305
PTMQB85L2820-1000-E305-C345	28	305	345	85	200	36	375
PTMQB85L3220-1000-E405-C395	32	405	395	85	200	36	475
PTMQB85L3620-1000-E415-C440	36	415	440	85	200	36	485
PTMQB85L4020-1000-E465-C490	40	465	490	85	200	36	535

NOTE: QUIKCOUPLER™ BOXES ARE ALSO AVAILABLE IN 100, 150 AND 300MM CENTRES. NON-STANDARD CONFIGURATIONS OF BOX LENGTH, HEIGHT AND SPACINGS AVAILABLE.

## BP - BARTEK BP COUPLER BOX

Product Code	Bar Size	Embedment E	Cog length C	Box Height	Coupler Spacing	Box Depth	Min wall thickness
	mm	mm	mm	mm	mm	mm	mm
BPQB85L1220-1000-E145-C170	12	145	170	85	200	36	215
BPQB85L1620-1000-E165-C205	16	165	205	85	200	36	235
BPQB85L2020-1000-E195-C245	20	195	245	85	200	36	265
BPQB85L2420-1000-E235-C295	24	235	295	85	200	36	305
BPQB85L2820-1000-E305-C345	28	305	345	85	200	36	375
BPQB85L3220-1000-E405-C395	32	405	395	85	200	36	475
BPQB85L3620-1000-E415-C440	36	415	440	85	200	36	485
BPQB85L4020-1000-E465-C490	40	465	490	85	200	36	535

NOTE: QUIKCOUPLER™ BOXES ARE ALSO AVAILABLE IN 100, 150 AND 300MM CENTRES. NON-STANDARD CONFIGURATIONS OF BOX LENGTH, HEIGHT AND SPACINGS AVAILABLE.

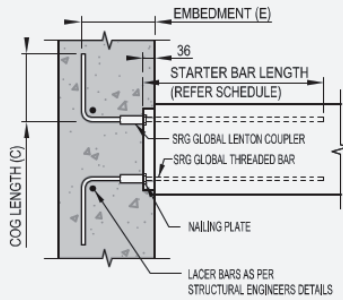
## LC - LENTON COUPLER BOX

Product Code	Bar Size	Embedment E	Cog length C	Box Height	Coupler Spacing	Box Depth	Min wall thickness
	mm	mm	mm	mm	mm	mm	mm
LCQB85L1220-1000-E145-C170	12	145	170	85	200	36	215
LCQB85L1620-1000-E165-C205	16	165	205	85	200	36	235
LCQB85L2020-1000-E195-C245	20	195	245	85	200	36	265
LCQB85L2420-1000-E235-C295	24	235	295	85	200	36	305
LCQB85L2820-1000-E305-C345	28	305	345	85	200	36	375
LCQB85L3220-1000-E405-C395	32	405	395	85	200	36	475
LCQB85L3620-1000-E415-C440	36	415	440	85	200	36	485
LCQB85L4020-1000-E465-C490	40	465	490	85	200	36	535

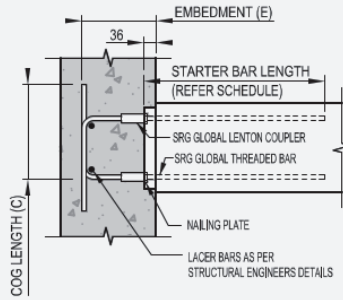
NOTE: QUIKCOUPLER™ BOXES ARE ALSO AVAILABLE IN 100, 150 AND 300MM CENTRES. NON-STANDARD CONFIGURATIONS OF BOX LENGTH, HEIGHT AND SPACINGS AVAILABLE.



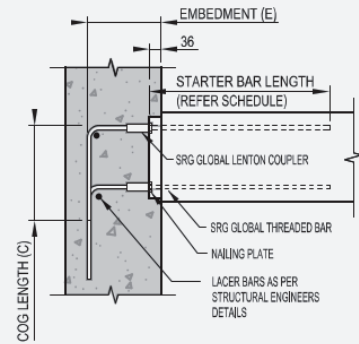
## ALTERNATIVE COUPLER BOXES AVAILABLE



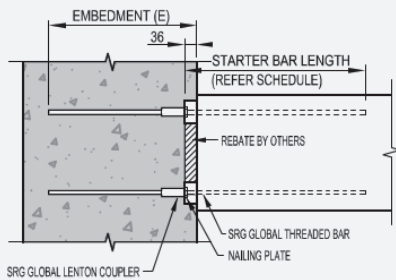
**SECTION I FOR TYPE JL  
LENTON COUPLER BOX**



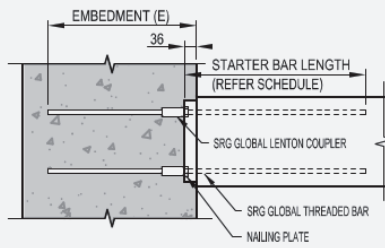
**SECTION I FOR TYPE LJ  
LENTON COUPLER BOX**



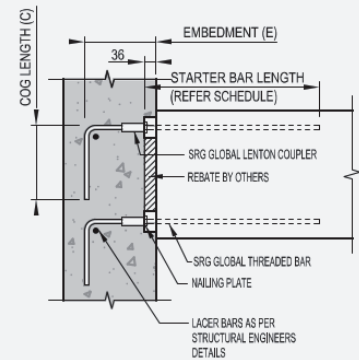
**SECTION I FOR TYPE LL  
LENTON COUPLER BOX**



**SECTION III FOR TYPE A  
LENTON COUPLER BOX**

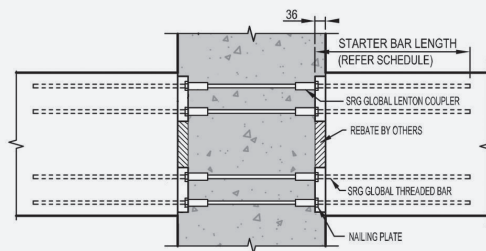
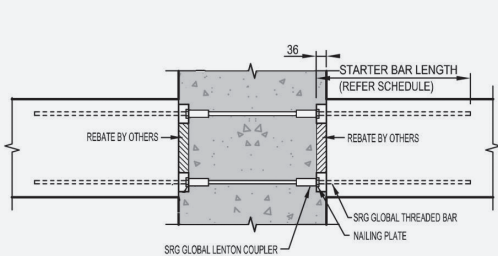


**SECTION I FOR TYPE AA  
LENTON COUPLER BOX**



**SECTION III FOR TYPE L  
LENTON COUPLER BOX**

## BACK TO BACK COUPLER BOXES AVAILABLE





**[srgglobal.com.au](http://srgglobal.com.au)**

**CORPORATE HEAD OFFICE**

Level 2, 500 Hay Street,  
Subiaco, Western Australia 6008

+61 8 9267 5400

[Info@srgglobal.com.au](mailto:Info@srgglobal.com.au)

**QLD**

42 Robson Street,  
Clontarf, QLD 4019  
+61 7 3888 6655

**WA**

5 Riversdale Road,  
Welshpool, WA 6106  
+61 8 9267 5400

**VIC**

2/290 Salmon Street,  
Port Melbourne, VIC 3207  
+61 3 9296 8100

**NSW**

Unit 2B/149 McCredie Road,  
Smithfield, NSW 2164  
+61 2 8767 6200